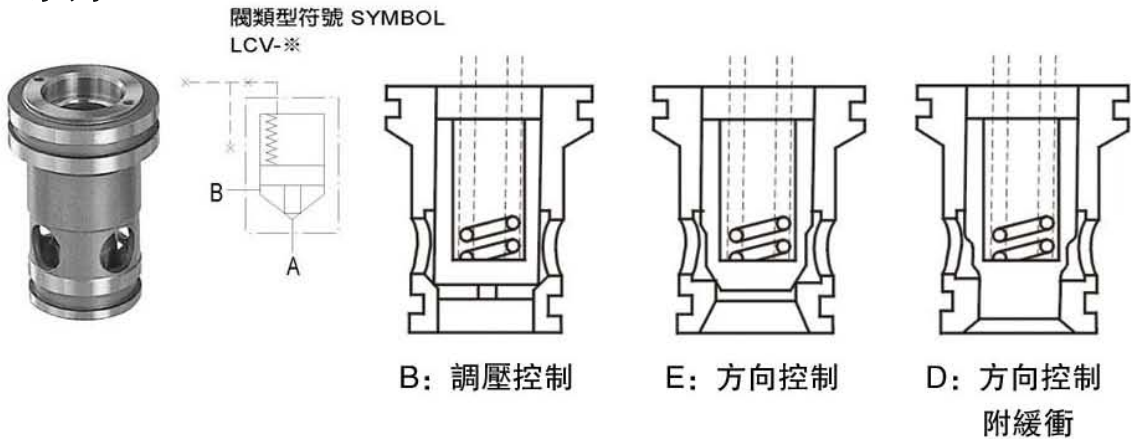


LCV 系列



規格說明 SPECIFICATION :

型式 MODEL	最大流量 MAX. FLOW l/min	最高使用壓力 MAX. OPERATING PRESSURE kgf/cm ²	開啓壓力 CRACK PRESSURE kgf/cm ²	重量 WEIGHT kg
LCV-16-※	130	315	05 : 0.35 20 : 2.0 50 : 4.5	0.18
LCV-25-※	350			0.43
LCV-32-※	500			0.87
LCV-40-※	850			1.59
LCV-50-※	1400			2.74
LCV-63-※	2100			5.8

型號說明 HOW TO ORDER :

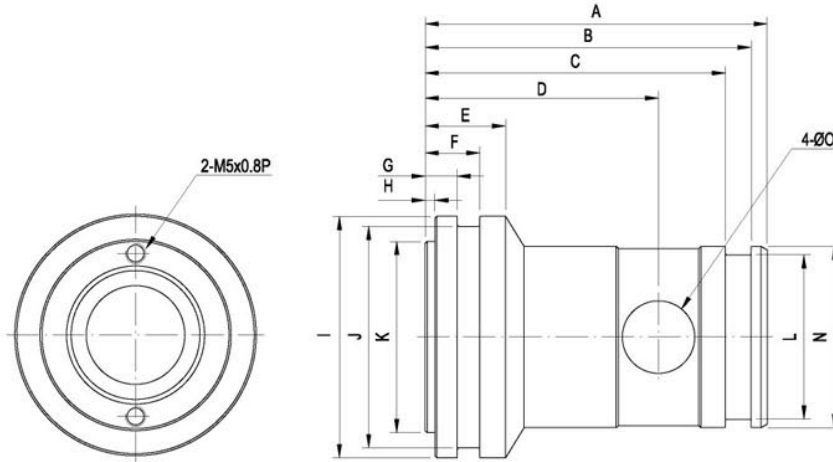
LCV - 32 - 05 - E



單位UNIT : mm

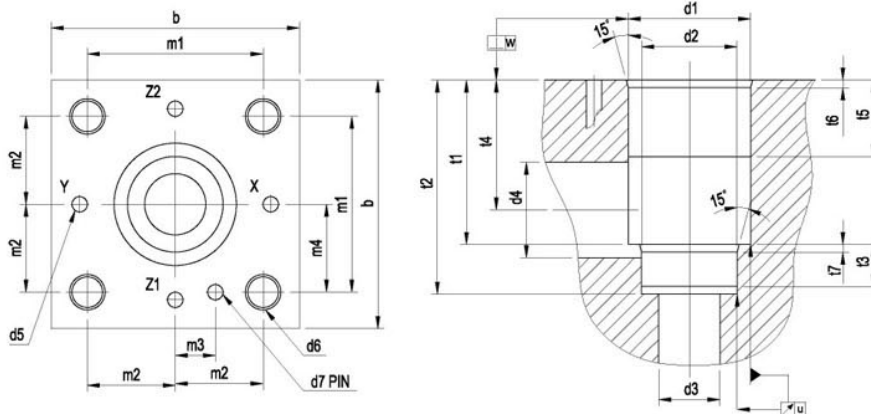
安裝尺寸 INSTALLATION DIMENSIONS

LCV-※



CODE SIZE	A	B	C	D	E	F	G	H	I	J	K	L	N	O
16	56	52	46.5	37	16	10.5	7	2.4	32	29.2	22.2	22.2	25	10
25	72	69	62.6	43	16	13.5	8.8	1.8	45	40.8	37	29.8	34	14
32	85	81	74.6	58	20	13.6	8	2.4	60	55	47.5	40.8	45	18
40	105	97	90.6	66.5	24	15.6	10	2.4	75	70	62	50.8	55	23.5
50	122	114	107.6	83	20	14.6	9	2.4	90	85	76.8	63.8	68	28
63	155	145.5	134	115	27	21	12	4.6	120	110	94	80	90	25

底板尺寸 SUB-PLATE DIMENSIONS



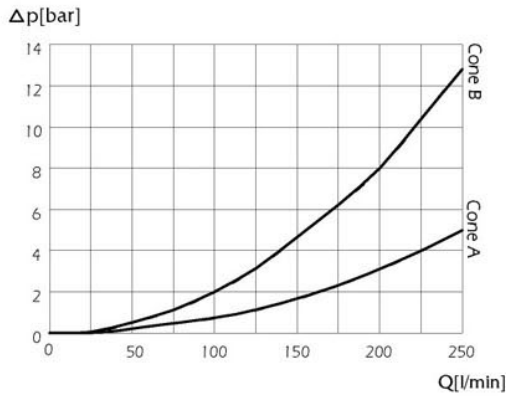
CODE SIZE	b	d1	d2	d3	d4	d5	d6	d7	m1	m2	m3	m4	t1	t2	t3	t4	t5	t6	t7	t8	u	w
		H7	H7						±0.2	±0.2	±0.2	±0.2	±0.1	±0.1								
16	65	32	25	16	25	5	M8	4	46	25	10.5	23	43	56	11	34	20	2	2	0.5	0.03	0.05
25	85	45	34	25	32	6	M12	6	58	33	16	29	58	72	12	44	30	2.5	2.5	1.0	0.03	0.05
32	102	60	45	32	40	8	M16	6	70	41	17	35	70	85	13	52	30	2.5	2.5	1.5	0.03	0.1
40	125	75	55	40	50	10	M20	6	85	50	23	42.5	87	105	15	64	30	3	3	2.5	0.05	0.1
50	140	90	68	50	63	10	M20	8	100	58	30	50	100	122	17	72	35	4	3	2.5	0.05	0.1
63	180	120	90	63	80	12	M30	8	125	75	38	62.5	130	155	20	95	40	4	4	3	0.05	0.2

測試條件 PERFORMANCE CURVES

流量—壓力特性 NOMINAL OVERRIDE

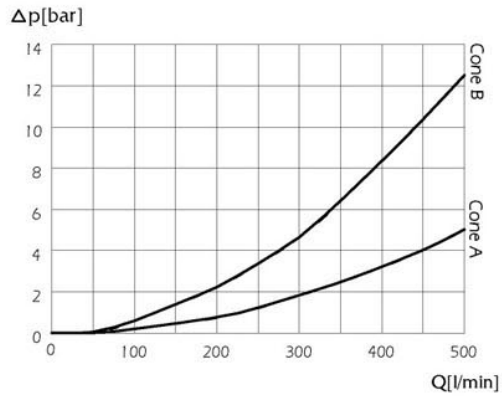
● **LCV-16**

Check conditions : without spring,
oil temperature 50°C / 122°F, viscosity 35 cSt



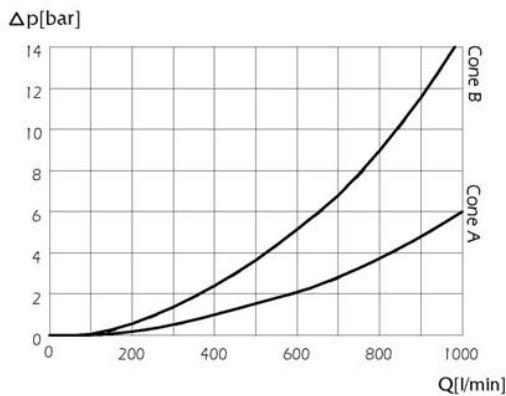
● **LCV-25**

Check conditions : without spring,
oil temperature 50°C / 122°F, viscosity 35 cSt



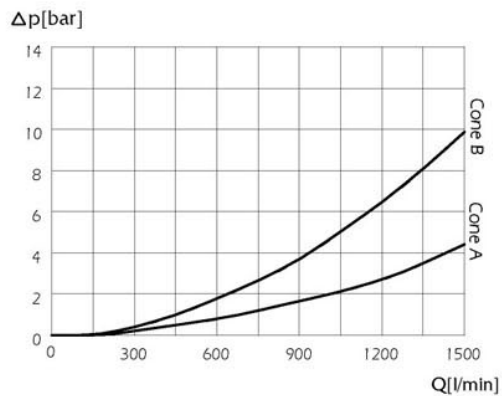
● **LCV-32**

Check conditions : without spring,
oil temperature 50°C / 122°F, viscosity 35 cSt



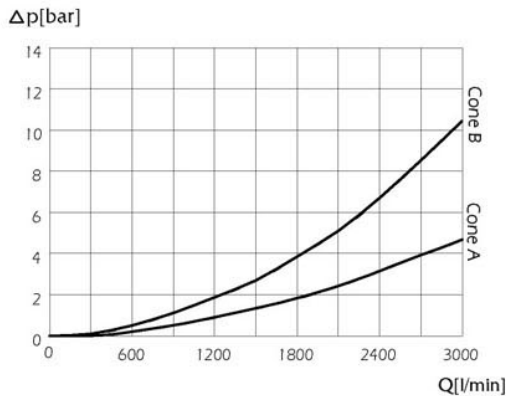
● **LCV-40**

Check conditions : without spring,
oil temperature 50°C / 122°F, viscosity 35 cSt



● **LCV-50**

Check conditions : without spring,
oil temperature 50°C / 122°F, viscosity 35 cSt



● **LCV-63**

Check conditions : without spring,
oil temperature 50°C / 122°F, viscosity 35 cSt

