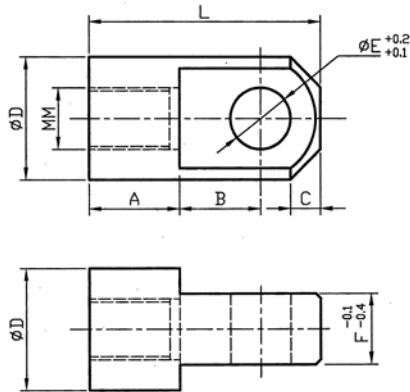
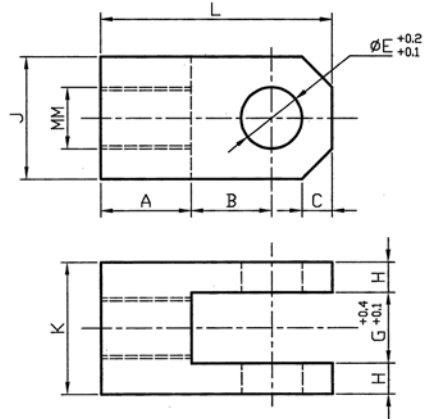


I 型接頭

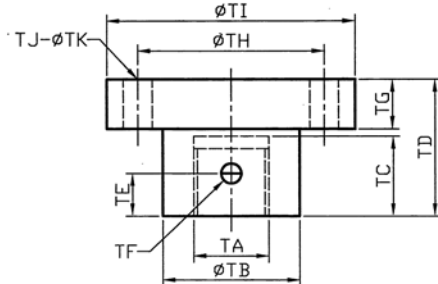


Y 型接頭

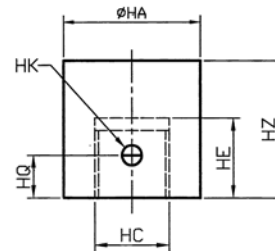


I 及 Y 接頭型號		MM	A	B	C	ΦD	ΦE	F	G	H	J	K	L
I-014	Y-014	M14X1.5	25	20	6	24	12	15	15	7.5	24	30	57
I-016	Y-016	M16X1.5	25	25	8	32	16	20	20	10	32	40	65
I-018	Y-018	M18X1.5	25	25	8	32	16	20	20	10	32	40	65
I-022	Y-022	M22X1.5	35	30	10	40	20	25	25	12.5	40	50	85
I-026	Y-026	M26X1.5	40	35	13	50	25	30	30	15	50	60	100
I-030	Y-030	M30X1.5	45	40	15	60	30	35	35	17.5	60	70	115
I-040	Y-040	M40X2.0	55	50	20	80	40	40	40	20	80	80	145
I-050	Y-050	M50X2.0	65	60	25	100	50	50	50	25	100	100	175
I-070	Y-070	M70X2.0	85	80	35	140	70	70	70	35	140	140	235
I-090	Y-090	M90X2.0	105	100	45	180	90	90	90	45	180	180	295

T 型接頭



H 型焊接接頭



型號	TA	TB	TC	TD	TE	TF	TG	TH	TI	TJ	TK
T-010	M10XP1.25	20	20	30	10	M6XP1.0	8	40	60	4	8
T-014	M14XP1.5	30	25	40	12	M8XP1.25	10	55	80	4	10
T-016	M16X P1.5	30	25	40	12	M8XP1.25	10	55	80	4	10
T-018	M18X P1.5	30	25	40	12	M8XP1.25	10	55	80	4	10
T-022	M22X P1.5	35	32	50	15	M8XP1.25	15	65	85	4	10
T-026	M26X P1.5	40	32	50	15	M8XP1.25	15	70	90	4	10
T-030	M30X P1.5	45	35	55	20	M8XP1.25	20	75	100	4	12
T-036	M36X P2.0	50	48	55	20	M8XP1.25	20	80	105	4	12
T-040	M40X P2.0	60	48	65	25	M10XP1.5	25	90	115	6	12
T-045	M45X P2.0	70	55	65	25	M10XP1.5	25	100	125	6	12
T-050	M50X P2.0	80	55	75	25	M10XP1.5	25	110	140	6	14
T-060	M60X P2.0	90	55	80	30	M10XP1.5	30	120	150	6	14
T-070	M70X P2.0	100	65	100	30	M12XP1.75	30	140	180	6	18
T-090	M90X P2.0	140	85	120	40	M12XP1.75	40	180	220	6	18

型號	HA	HC	HE	HK	HQ	HZ
H-010	20	M10XP1.25	20	M6XP1.0	10	30
H-014	35	M14XP1.5	25	M8XP1.25	12	40
H-016	35	M16X P1.5	25	M8XP1.25	12	40
H-018	35	M18X P1.5	25	M8XP1.25	12	40
H-022	40	M22X P1.5	32	M8XP1.25	15	50
H-026	45	M26X P1.5	32	M8XP1.25	15	50
H-030	50	M30X P1.5	35	M8XP1.25	20	55
H-036	55	M36X P2.0	40	M8XP1.25	20	60
H-040	60	M40X P2.0	48	M10XP1.5	25	65
H-045	70	M45X P2.0	52	M10XP1.5	25	70
H-050	80	M50X P2.0	55	M10XP1.5	25	75
H-060	90	M60X P2.0	55	M10XP1.5	30	80
H-070	100	M70X P2.0	65	M12XP1.75	30	100
H-090	140	M90X P2.0	85	M12XP1.75	40	120